

# GRP MESH FIXINGS

## DATASHEET

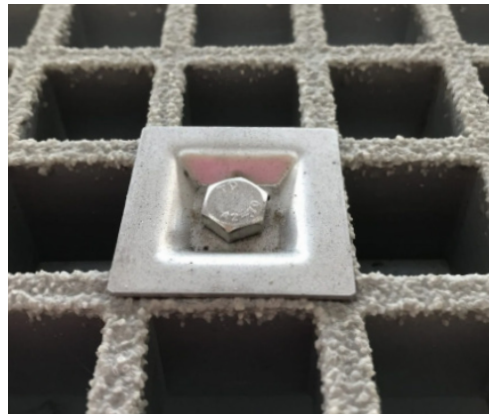


Step on Safety

### TOP QUALITY

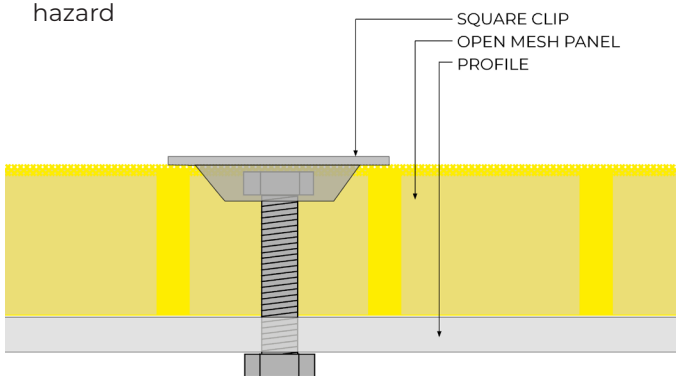
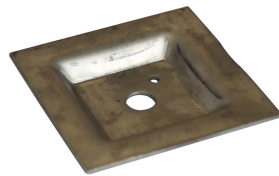
Any GRP installation is only as good as the fixings used which is why we only use 316/A4 quality stainless steel nuts, bolts, clips, clamps and washers.

They may not last as long as the mesh panels or structural profiles but they are guaranteed for 10 years and can be replaced if they start to show signs of corrosion.



### SQUARE CLIPS

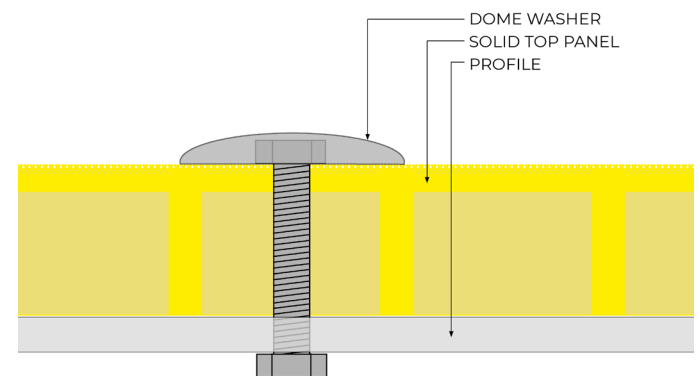
- Panel Holding Down Clip
- Grade 316/A4
- Secure Standard Mesh Panels to solid surfaces
- Can also be used on Solid Top Panels
- Direct fix to substrates
- Compatible with various fixing methods
- Recessed design only 1.5mm proud for minimum trip hazard



PANEL TYPE	THICKNESS	MESH BAR CENTRES
Standard Mesh	25-38mm	38 x 38mm
Standard Mesh	50mm	50 x 50mm

### DOME WASHERS

- Panel Holding Down Clip
- Grade 316/A4
- For use with Open Mesh, Solid Top Panels, Flat Plate and for snag-free GRP structures
- Direct fix to substrate
- Heavy Duty fixing clip
- Compatible with various fixing methods



PANEL TYPE	DIAMETER	MESH SIZE
Standard/Mini/Solid	40mm	20/38mm
Mini Mesh/Solid	30mm	20/38mm

### FOR MORE INFORMATION

Call: 01206 396 446

Email: sales@steponsafety.co.uk

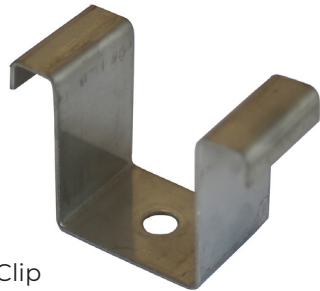
Visit: www.steponsafety.co.uk

# GRP MESH FIXINGS

## DATASHEET

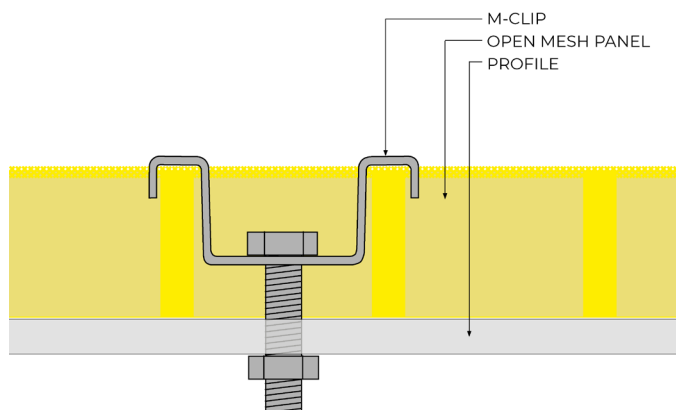


Step on Safety



### M-CLIPS

- Panel Holding Down Clip
- Grade 316/A4
- Designed to secure open mesh grating to GRP Profile or directly to substrate
- Heavy duty fixing clip
- Recessed design 1.5mm proud for trip-free finish

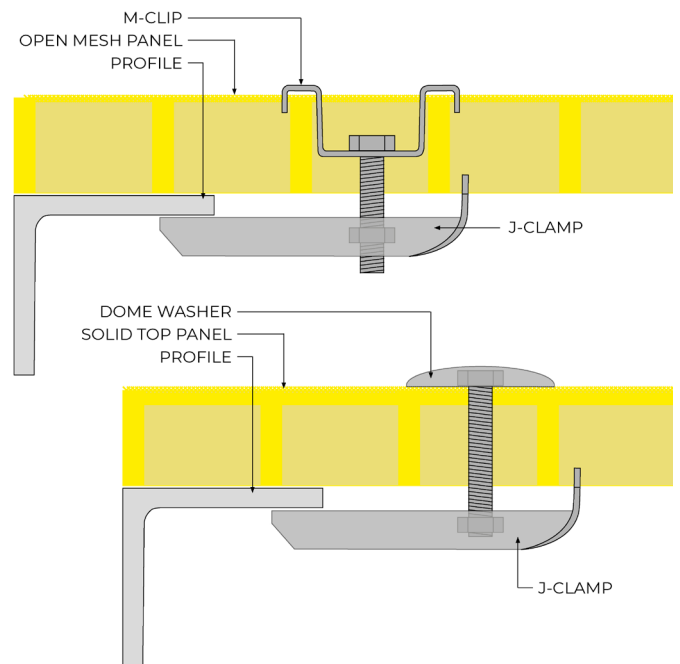


PANEL TYPE	THICKNESS	MESH BAR CENTRES
Standard Mesh	25mm	38 x 38mm
Standard Mesh	38mm	38 x 38mm
Standard Mesh	50mm	50 x 50mm
Mini Mesh	14-22mm	20 x 20mm
Mini Mesh	30-38mm	20 x 20mm



### J-CLAMPS

- Panel Holding Down Clip
- Grade 316/A4
- Friction fixing clamp
- Used where direct substrate fitting with bolt/screws is not permitted to clamp onto flange/web
- Does not require tightening from underneath
- Use M8 bolt thread with M8 Nyloc or square nut



PANEL TYPE	THICKNESS	MESH SIZE
Standard/Mini/Solid	22-38mm	20/38mm
Standard/Solid	50mm	50 x 50mm

### FOR MORE INFORMATION

Call: 01206 396 446

Email: [sales@steponsafety.co.uk](mailto:sales@steponsafety.co.uk)

Visit: [www.steponsafety.co.uk](http://www.steponsafety.co.uk)

# GRP MESH FIXINGS

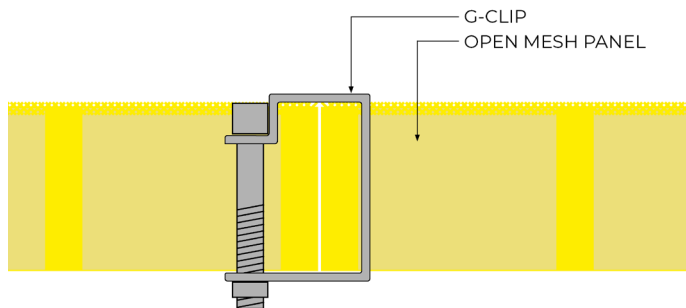
## DATASHEET



Step on Safety

### G-CLAMPS

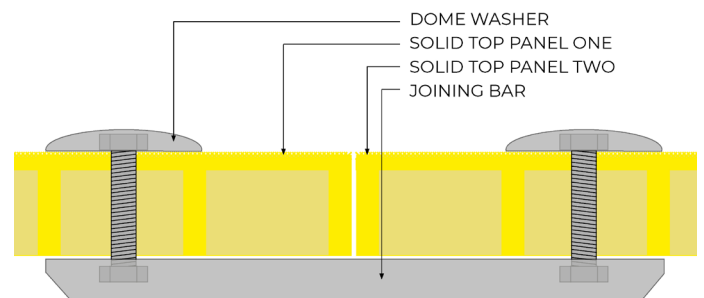
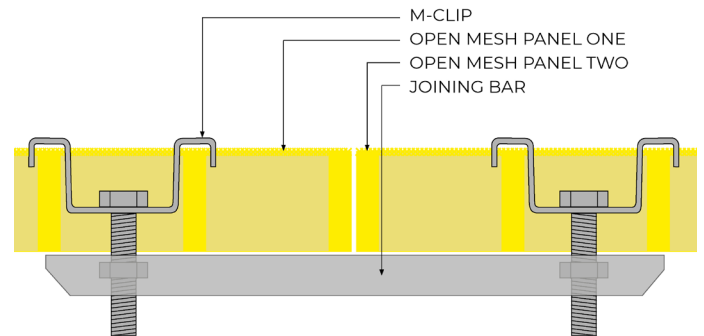
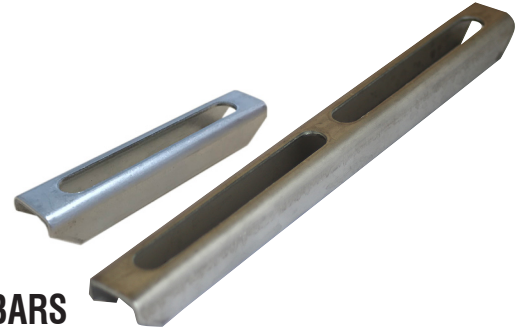
- Panel-to-panel clamp
- Grade 316/A4
- Secure two open mesh panels side-by-side
- Supplied with hex bolt
- **Non-structural** joining system
- Suitable for temporary floor systems
- Recessed design 1.5mm proud for trip-free finish
- Soc cap head included



PANEL TYPE	THICKNESS	MESH BAR CENTRES
Standard Mesh	25mm	38 x 38mm
Standard Mesh	38mm	38 x 38mm
Standard Mesh	50mm	38 x 38mm
Mini Mesh	22mm	20 x 20mm
Mini Mesh	30mm	20 x 20mm
Mini Mesh	38mm	20 x 20mm

### JOINING BARS

- Panel-to-panel clamp
- Grade 316/A4
- Secure two open mesh or solid top/bottom panels side-by-side
- **Structural** joining system
- Use M8 bolt with M8 square nut



PANEL TYPE	LENGTH
ALL Panels	Single
ALL Panels	Double

### FOR MORE INFORMATION

Call: 01206 396 446

Email: sales@steponsafety.co.uk

Visit: www.steponsafety.co.uk